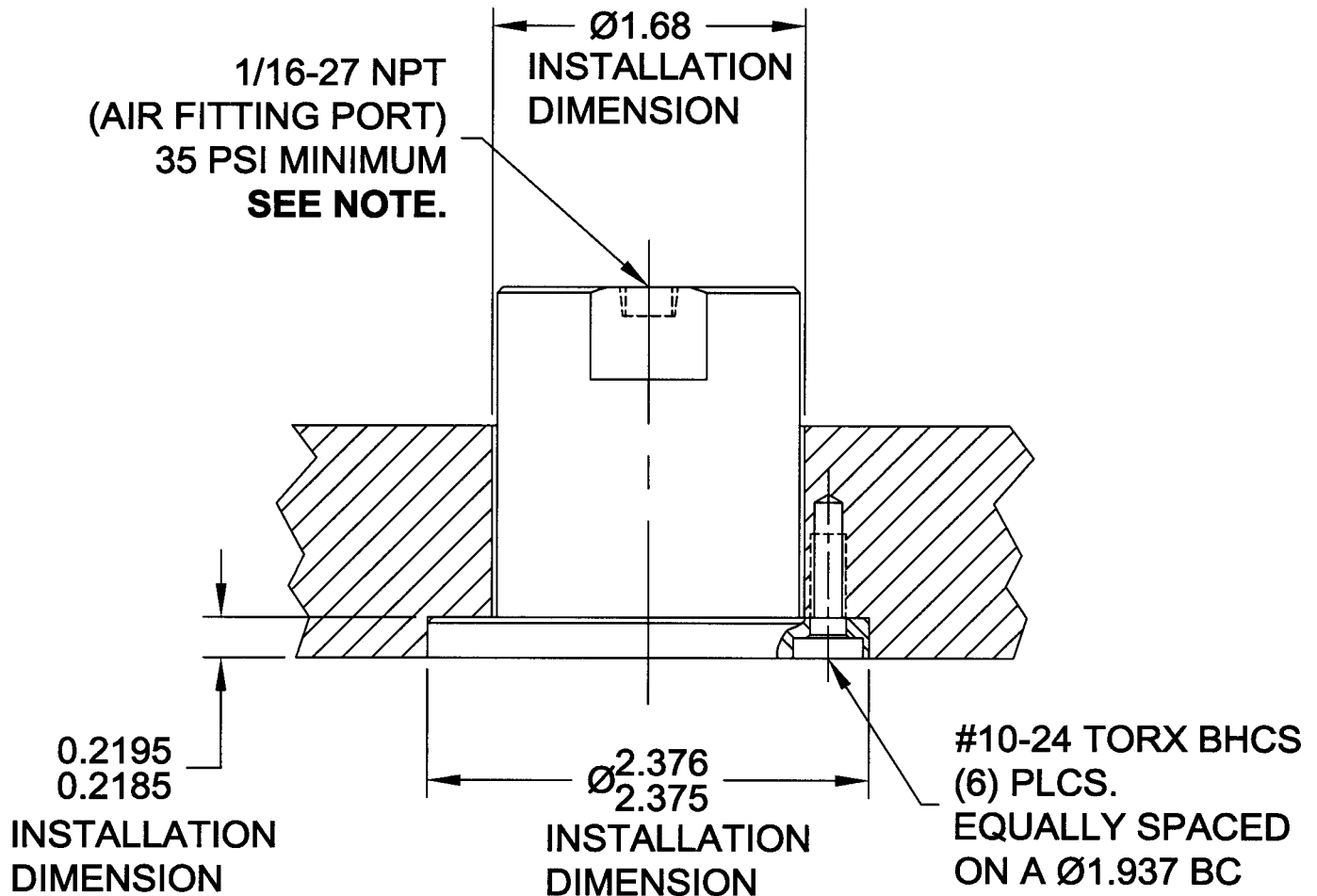
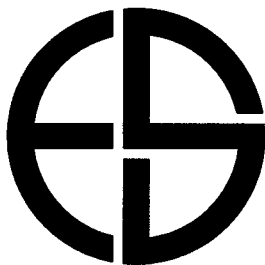


# MINI CYLINDER LOCK - FLANGE MOUNT INSTALLATION INFORMATION

FOR CAT.# PD375F



**NOTE:** WHEN INSTALLING 1/16-27 AIR FITTING DO NOT EXCEED TWO FULL REVOLUTIONS. EXCESSIVE FITTING ENGAGEMENT CAN INTERFERE WITH THE CYLINDER LOCKS ABILITY TO ACTUATE PROPERLY, CAUSING IT TO MALFUNCTION!



**EDWARD D. SEGEN & CO, LLC**

100 Enterprise Drive, Ft. Loramie, OH 45845

PH.937.295.2281 FAX 937.295.3677

[www.toolingtechgroup.com](http://www.toolingtechgroup.com)

THE INFORMATION CONTAINED HEREIN MAY BE THE SUBJECT OF PENDING OR CONTEMPLATED PATENTS, AND IS FURNISHED WITHOUT PREJUDICE TO THE PATENT RIGHTS OF EDWARD D. SEGEN & CO, LLC.