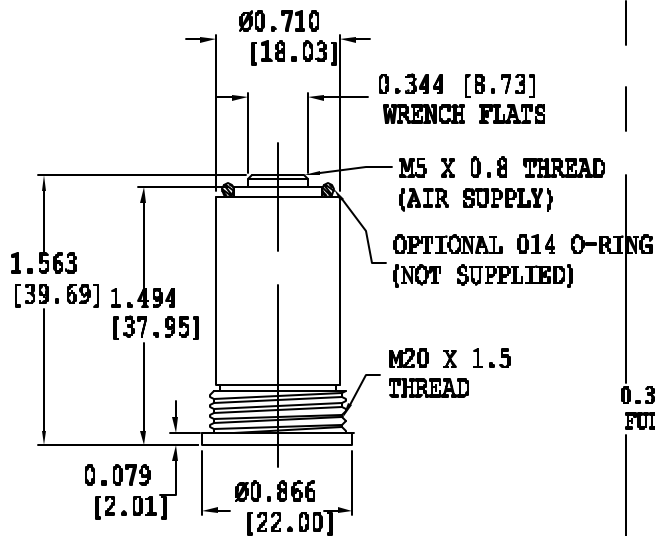


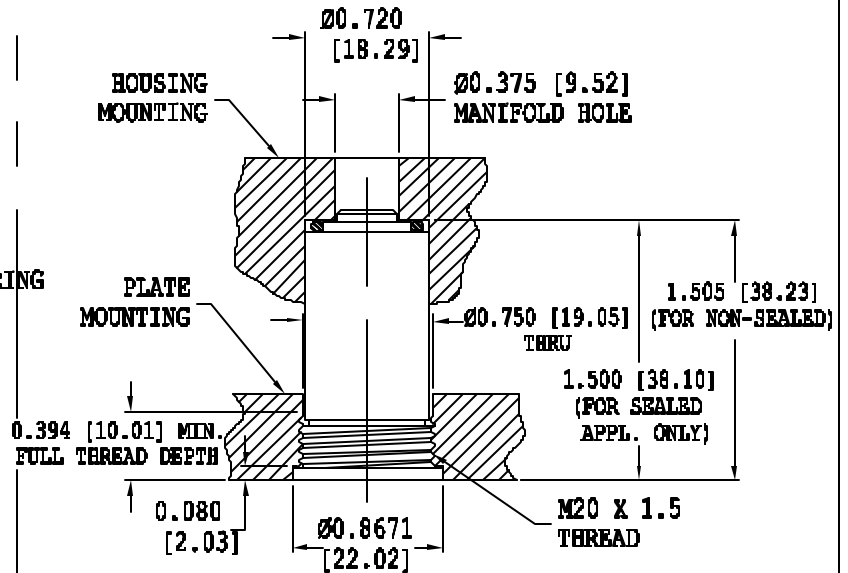
MICRO CYLINDER LOCK - METRIC

CAT # PD250X2

CYLINDER

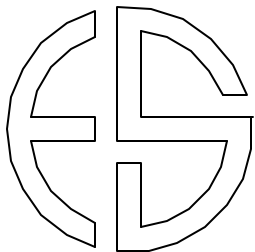


INSTALLATION



INSTALLATION NOTES:

- 1) TIGHTEN WITH INSTALLATION TOOL (EDIT250) UNTIL FULLY SEATED FLUSH OR BELOW SURFACE.
- 2) LOCATE CYLINDER INTO CUSTOMER PLATE USING LOCTITE LIQUID THREAD LOCKER OR SIMILAR PRODUCT.



EDWARD D. SEGEN & CO, LLC

100 ENTERPRISE DRIVE, FT. LORAMIE, OH. 45845

PH. 937.295.2281 FAX 937.295.3677

WWW.SEGEN-ONLINE.COM

THE INFORMATION CONTAINED HEREIN MAY BE THE SUBJECT OF PENDING OR CONTEMPLATED PATENTS, AND IS FURNISHED WITHOUT PREJUDICE TO THE PATENT RIGHT OF EDWARD D. SEGEN & CO. LLC.