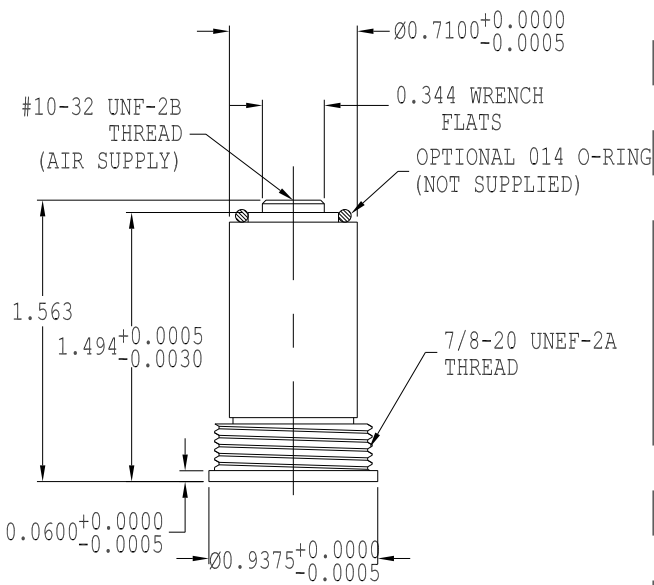


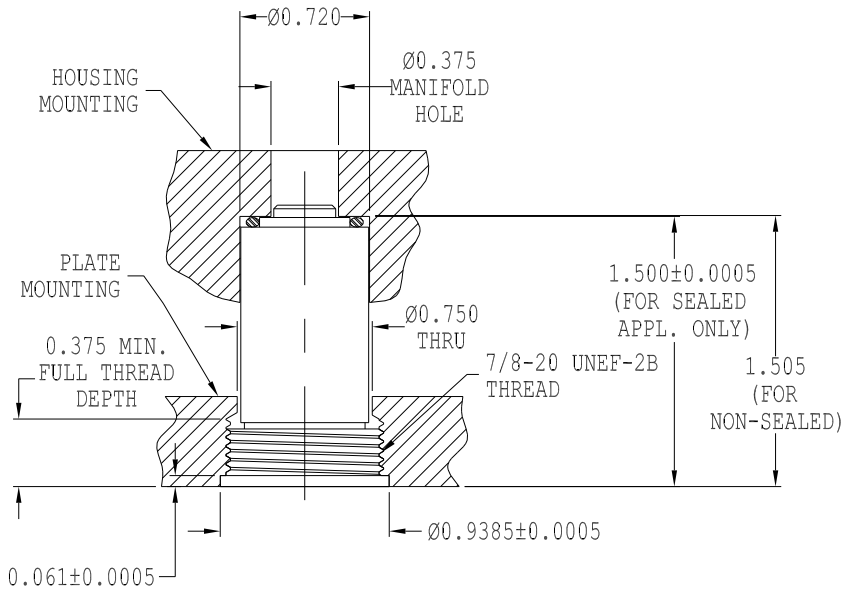
# MICRO CYLINDER LOCK - STANDARD

CAT # PD250X3

## CYLINDER

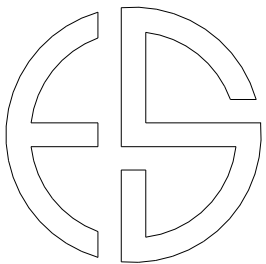


## INSTALLATION



### INSTALLATION NOTES:

- 1) TIGHTEN WITH INSTALLATION TOOL (PDIT250) UNTIL FULLY SEATED FLUSH OR BELOW SURFACE.
- 2) LOCTITE CYLINDER INTO CUSTOMER PLATE USING LOCTITE LIQUID THREADLOCKER OR SIMILAR PRODUCT.



EDWARD D. SEGEN & CO, LLC

100 ENTERPRISE DRIVE, FT. LORAMIE, OH. 45845

PH. 937.295.2281 FAX 937.295.3677

WWW.SEGEN-ONLINE.COM

THE INFORMATION CONTAINED HEREIN MAY BE THE SUBJECT OF PENDING OR CONTEMPLATED PATENTS, AND IS FURNISHED WITHOUT PREJUDICE TO THE PATENT RIGHT OF EDWARD D. SEGEN & CO. LLC.