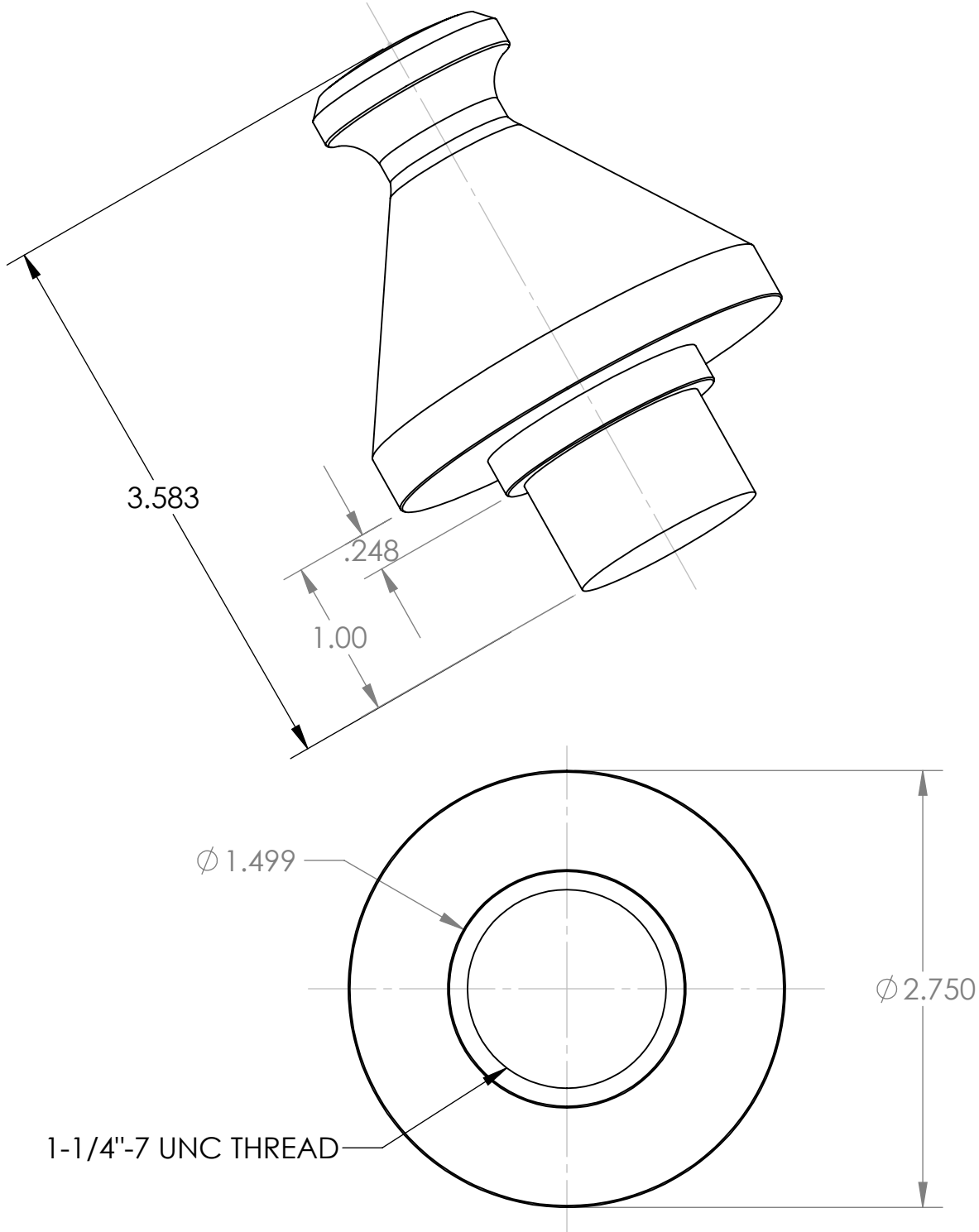


# KNOB - THREADED

CAT. # PD500STD



**EDWARD D. SEGEN & CO, LLC**

100 Enterprise Drive, Ft. Loramie, OH 45845

PH: 937.295.2281 FAX: 937.295.3677

[www.toolingtechgroup.com](http://www.toolingtechgroup.com)

THE INFORMATION CONTAINED HEREIN MAY BE THE SUBJECT OF PENDING OR CONTEMPLATED PATENTS,  
AND IS FURNISHED WITHOUT PREJUDICE TO THE PATENT RIGHTS OF TOOLING TECHNOLOGY, LLC.